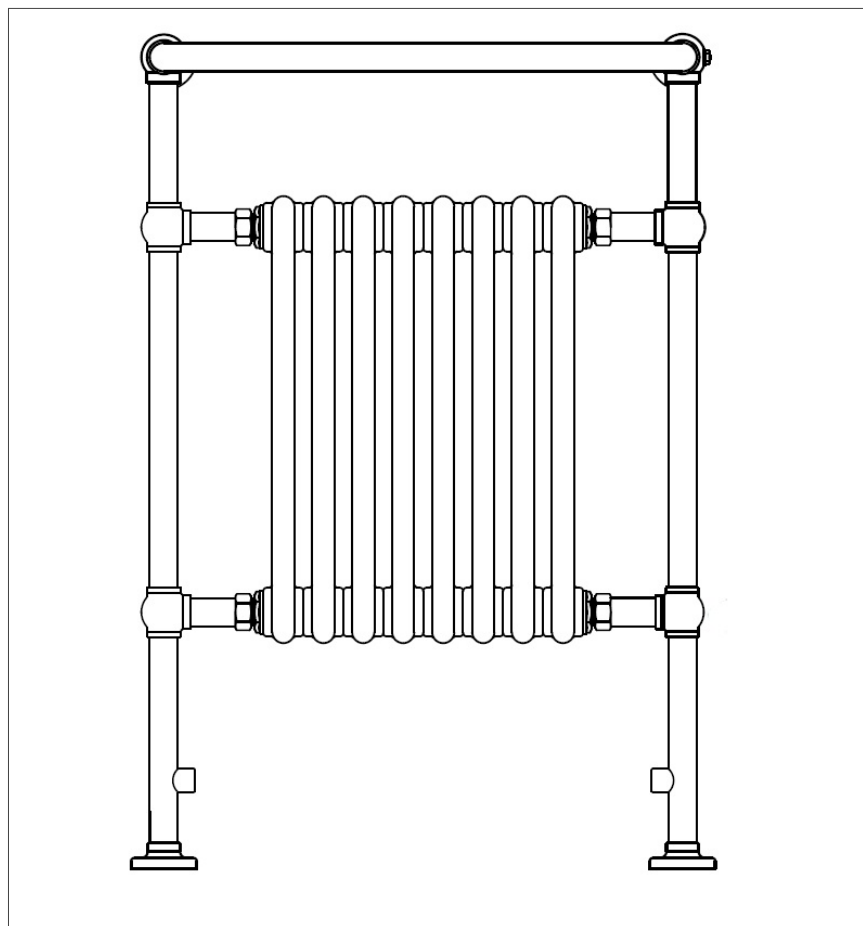


Hudson Reed



ALTEZZA (MM)	LARGHEZZA (MM)	COLONNE	INTERASSE (MM)	WATT DELTA T30°C	WATT DELTA T50°C	WATT DELTA T60°C
930	452	3	217 (Appross.)	182	343	430
930	452	3	217 (Appross.)	187	350	437
930	620	3	385 (Appross.)	284	534	669
930	620	3	385 (Appross.)	293	551	690
930	790	3	555 (APPROSS.)	400	753	944